

CRAIG



2603

"T" CONTROL PORTABLE CASSETTE RECORDER

OWNERS REFERENCE MANUAL



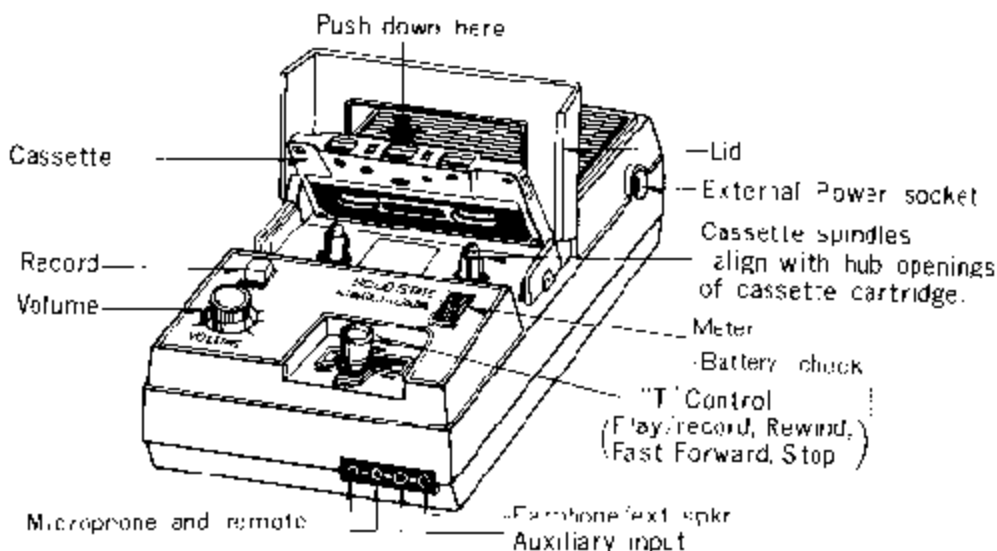
FUNCTION

Your Craig 2603 "T" Control Portable Cassette Recorder is a versatile solid-state recording and playback unit, designed to use pocket-sized cassettes.

Along with this compact convenience, the unit combines two other features which add to its ease of operation. One is a simplified "T" Control for operating play/record, rewind and fast forward functions. The other, Automatic Level Control, automatically adjusts the level of sound

recorded, regardless of its proximity to the microphone. This eliminates the need for the user to adjust volume control, whether the sound is near or far and without regard to its intensity.

The Craig 2603 operates on batteries and on AC power with the detachable AC power cord supplied. A Ni-Cad rechargeable battery pack is also available.



PREPARATION FOR USE

- Battery Power.** Five "C" Size cells are required. Remove the lid of the battery compartment in the back of the recorder. Insert the cells to match the polarity of the (+ or -) signs indicated inside the compartment. (The recorder will not work properly if the cells are incorrectly inserted).
- AC Power.** The Craig 2603 operates from any 115 volt 60Hz receptacle with the detachable AC power cord supplied. Plug the lead from the power cord into the EXT PWR jack, located on the right side of the recorder. Insert the plug body blades into any convenient AC outlet.
- Cassette Insertion.** Before attempting to insert or remove a cassette, make sure the "T" Control knob is moved to the "STOP" position. Open the cover of the cassette compartment. (If desired, the cover can be removed by lifting it back as far as possible). Insert the cassette under the lid at the rear of this opening, with the tape slot toward the controls and the full reel of tape on the left side (look through the window of the cassette). Be sure the spindles are aligned with the hub openings in the cassette, then press down firmly on the cassette's front edge until it is seated securely. Now the lid may be closed and the recorder is ready to operate.

NOTE: Cassettes can be installed either side up, but will not fit properly in any incorrect position. After you have completed the first side, remove

the cassette and reinsert it with the other side up.

OPERATION

Recording.

- To record by microphone, plug the microphone into the two jacks marked "MIC".
NOTE: The larger hole is the microphone circuit, and may also be used with a telephone pickup or similar device. The smaller hole is the remote switch circuit, and a foot switch may be connected here.
- Press down the red button on the control panel marked "RECORD". At the same time, shift the "T" Control to "PLAY". The unit is now recording on its first track and will stop automatically when the end of the tape has been reached and the right-hand reel is full. To record on the second track, merely reverse the cassette so the full reel is again at the left. Repeat the recording process as described.

NOTE: The microphone provided for your recorder has a built-in remote control switch to start and stop tape motion in both record and play modes. Whenever the microphone is connected, the tape will not move unless the switch is on. Fast forward and rewind will operate without regard to the switch position, however.

3. To record from a radio or other signal source, use an accessory patch cord (Craig 9604 or equivalent). One end of this cord inserts into the "AUX" jack on the recorder. The other end (with clips) attaches to the loudspeaker terminals of the radio, which should be adjusted to normal listening level.

NOTE: Recording from a radio or other signal sources is done in the same way described in Step 2 (above), by pressing down on the red "RECORD" button and moving the "T" Control to "PLAY", simultaneously.

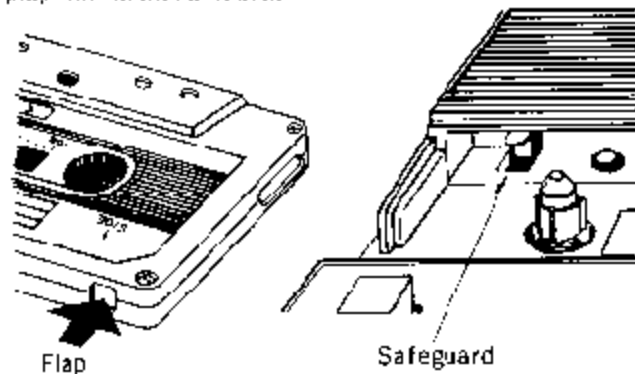
Playback. Insert the recorded cassette and move the "T" Control to the "PLAY" position, adjust the "VOLUME" control knob to get the desired sound volume. To end the playback, return the "T" Control to "STOP".

Monitoring. To monitor the quality of sound during recording, or for private listening to an already-recorded cassette, insert the plug of a small single earphone supplied, into the socket marked "EAR" and adjust the play VOLUME to a comfortable level. (VOLUME control has no effect in the record mode). A larger external speaker (8 ohms impedance) can also be connected to this socket for "PLAY" use only.

Fast Forward and Rewinding. For fast forward and rewinding of tape, shift the "T" Control to the positions marked "REW" or "FWD." Return the "T" Control to "STOP" when the end of the tape has been reached.

Safeguard Against Accidental Erasing. Every time a recording is made, the sound previously recorded is erased. To safeguard valuable recordings from being erased accidentally, the cassette and the recorder are equipped with special devices.

On the back of the cassette are two little flaps. If you want to be sure that a recording can never be erased again, break out these flaps with a knife or key. The resulting opening interlocks the recording button of the recorder. The recording button cannot be depressed when this cassette is inserted. If only one track is to be protected, break out only the flap at the left rear of the cassette when in position to play the desired track.



MAINTENANCE

This unit has been permanently lubricated at the factory. No further lubrication is necessary.

If a loss in brilliance (high frequency response) is noticed, the tape head probably needs cleaning. This may be done by playing a special head-cleaning cartridge, available at most dealers. As an alternate, the surface of the head may be cleaned with a wad of cotton moistened in isopropyl alcohol or special head-cleaning fluid. To do this properly, move the "T" Control to the "PLAY" position, causing the head to project from its housing. Carefully rub the face of the head and also clean the surfaces of the capstan and pinchroller.

WARRANTY

Craig Corporation, hereinafter referred to as Craig, warrants this product to be free from defects in material and workmanship for 90 days after date of sale to the ultimate user. Craig will repair or replace free of charge any Craig product which in the judgement of Craig has proven to be defective within the warranty period.

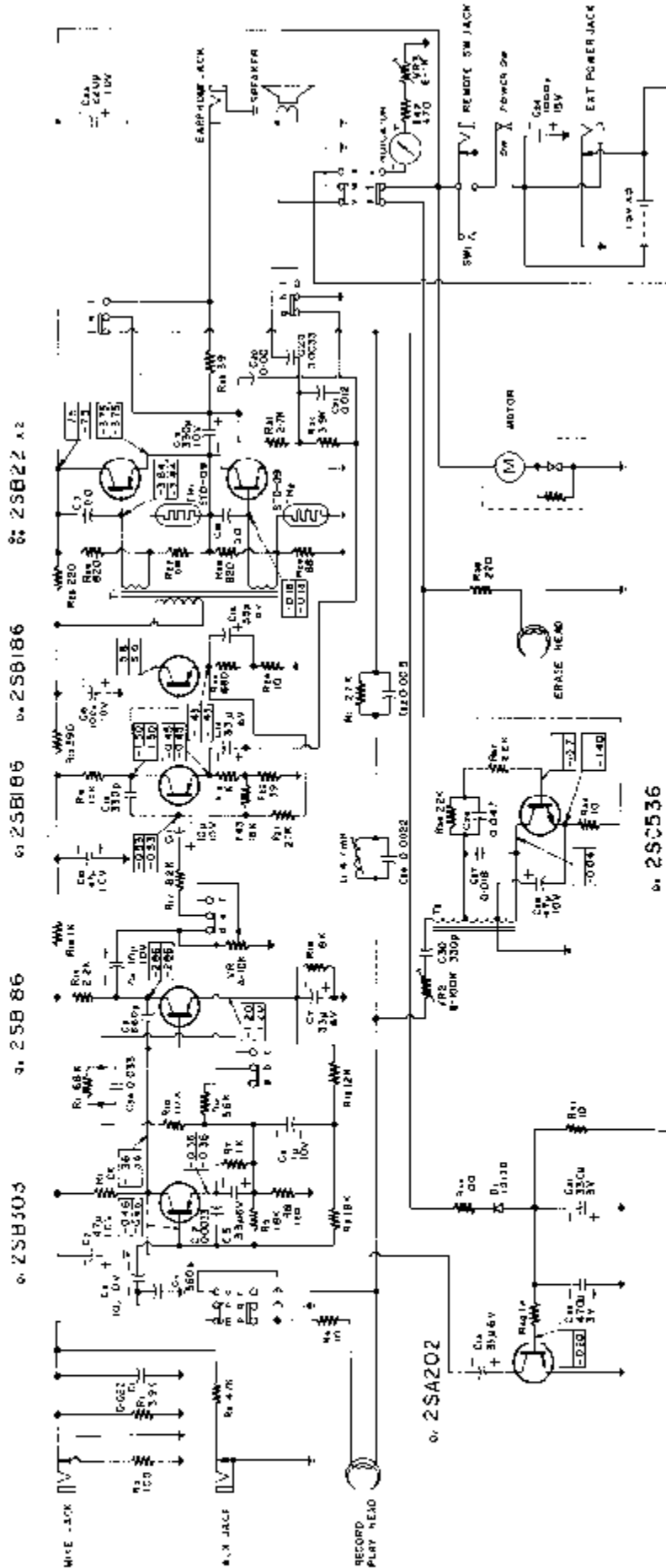
This warranty shall not apply to any Craig product which has been damaged by accident or which has been mis-used, abused, altered, or repaired by any one other than Craig or one of its Authorized Service Stations.

This warranty does not cover cartons, carrying cases, batteries, broken or marred cabinets, or any other accessories used in connection with the product.

This warranty is in lieu of all other warranties expressed or implied, and no person is authorized to assume for Craig any other liability in connection with the sale of this product.

IF THIS UNIT SHOULD REQUIRE SERVICE, JUST PHONE WESTERN UNION AND ASK FOR OPERATOR 25. ON REQUEST SHE WILL GIVE YOU THE NAME AND LOCATION OF THE NEAREST CRAIG WARRANTY SERVICE STATION. MORE THAN 400 OF THESE STATIONS THROUGHOUT THE U.S.A. ARE READY TO SERVE YOU. YOUR DATED SALES SLIP OR OTHER PROOF OF PURCHASE WILL ESTABLISH YOUR ELIGIBILITY FOR FREE WARRANTY SERVICE WITHIN THE 90-DAY PERIOD. (Operator 25 referral service is not presently available in Alaska or Hawaii. In these areas, contact your dealer.)

CIRCUIT DIAGRAM



Notes

1. Values indicated in [] are D.C. Voltage to the chassis.
2. Upper in Playback and Lower in Recording Mocc.
3. Record-Play SW (a-x): shown in Record Position.
3. SW 2 On a: "Rewind", "Fast Forward" and "Stop".